

PROFESSIONAL



HIGH QUALITY

AND MAXIMUM SAFETY

SAFETY

QUALITY

P99 · P99QA · P990

P99
WALTHER

A person in dark tactical gear is rappelling from a helicopter. The helicopter is positioned at the top of the frame, with its landing gear and tail rotor visible. The person is suspended in the air, holding onto a rope. The background is a bright, overcast sky. The overall scene conveys a sense of professional military or law enforcement operations.

P99

SUPERIOR THROUGH INNOVATION

We have been setting standards in pistol development for more than 100 years. One legend has been followed by the next. The P99 semi-automatic pistol is the latest in this tradition – a tradition of innovation. Our P99 sets new safety standards which meet all the requirements of modern law enforcement operations. In these operations safety, easy handling and short reaction times are what count. We give you the edge you need for the effective, controlled use of your weapon.

TECHNOLOGY

— The P99 is the first pistol with internal striker firing action that combines the advantages of a double and single action handgun with the ease of operation that only a hammerless pistol can offer.

— Thanks to the double action trigger and the deliberate omission of a manual safety, the P99 is always ready to be fired when loaded.

— Three interchangeable backstraps allow the grip to be adapted to any handsizes.

— The P99 is ambidextrous and is just as easy to operate for right-handed as well as for left-handed shooters.

SAFETY

— Four automatic safety systems are continuously engaged, ergo preventing unintentional firing. This pistol meets the most stringent safety requirements without the inconvenience of a manual safety.

— For the first time, an anti-stress trigger mechanism, active in both single and double action firing, reduces the risk of unintentional firing in stress situations and provides the highest degree of possible protection against operating errors.

— This pistol is easy to decock using a decocker, which is flush with the slide. This allows it to be carried safely in the holster, even with a round in the chamber, when in the decocked mode.

— With the cocking and loaded chamber indicators fitted to this gun, you can see and feel whether your weapon is cocked and/or loaded at any time.

QUALITY

— The quality of the metal parts is significantly enhanced by a special Tenifer QPQ finish.

Increased surface hardness equals improved resistance to wear and abrasion.

Smoother surfaces cut friction, preventing premature aging and fatigue.

Corrosion resistance is better than with many other types of surface treatments, including hard chromium plating.

— Highly reliable operation in any situation, even with different types of ammunition.

— Long service life, proven in long-term trials.

— Easy service and maintenance, thanks to a small number of parts and modular design.



SAFETY YOU CAN RELY ON

The P99 is already an accepted milestone in handgun design. This semi-automatic pistol combines the safe and easy handling typical of a hammer-fired handgun, with a hammerless action and the proverbial reliability of a Walther. Reliability we can guarantee: our guns are tested again and again, even under the harshest conditions and temperatures.



SYSTEM

The P99 was designed to meet the very stringent requirements of the police pistol specifications issued by the German Police Academy. You can be sure of full compliance with all the requirements experts would pose for a modern pistol.

__ Internal striker fired action, with the following advantages:

No protruding hammer which can snag when you really need to draw your pistol very fast.

Protection against mechanical damage, such as impact caused by dropping.

Fewer parts mean lighter weight, smaller size and less wear.

Very short lock time.

__ Modular design for easy maintenance.

__ Easy to disassemble without tools.

__ Ready to fire instantly, with no manual safety. Operating errors in stress situations are almost impossible.

BARREL

__ The barrel is positioned approximately 24 mm (0.97") above the hand, improving balance and reducing muzzle flip. This feature makes the P99 easy to control during rapid firing sequences.

__ Button rifling, produced without machining, ensures excellent firing performance.

__ The Tenifer QPQ finish equals long service life, highly effective corrosion protection and durable accuracy.

OPERATION

__ All the functions you need during a mission, including loading and magazine changes, are just as easy for right-handed as well as for left-handed shooters, without the need to reach around the grip or adjust one's grip stance.

__ The cocking path of the striker is very short, allowing rapid cocking without cycling, even using one hand in an emergency.

__ The decocker and magazine release are integrated into the pistol for easy access, so as to prevent operating errors.

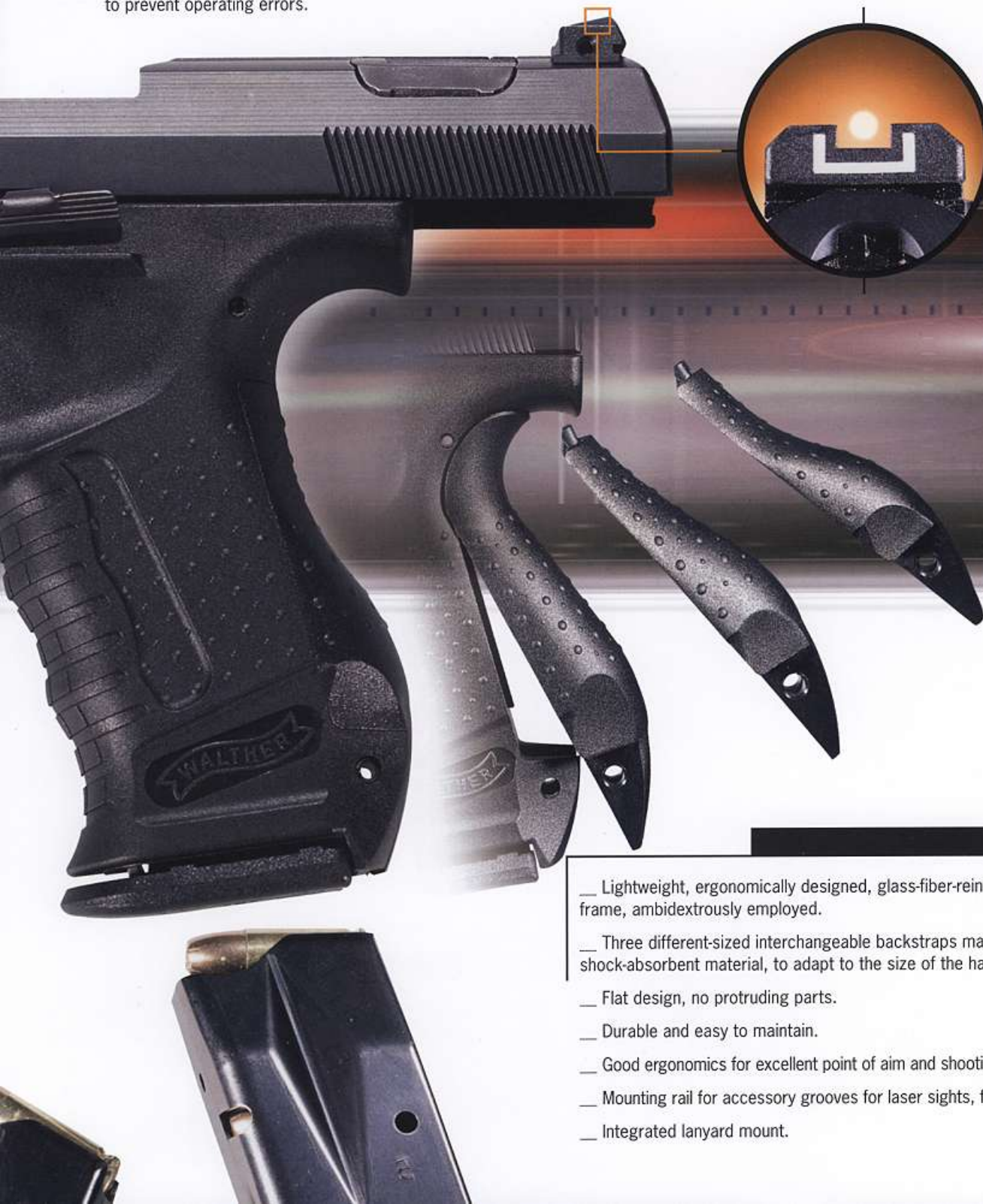
SIGHTS

__ Low sight radius and a contrasting sight for fast aiming.

__ The standard polymer rear sight with contrasting white U-shape (or optional 2-dots) outline is adjustable for windage. The width of the rear sight is 4.6 mm (0.18").

__ Four interchangeable front sight blades of different heights are standard equipment, each 3.6 mm (0.14") wide with a contrasting white dot.

__ Optional steel front and rear sights or tritium night sights are available.



FRAME

__ Lightweight, ergonomically designed, glass-fiber-reinforced polymer frame, ambidextrously employed.

__ Three different-sized interchangeable backstraps made from shock-absorbent material, to adapt to the size of the hand.

__ Flat design, no protruding parts.

__ Durable and easy to maintain.

__ Good ergonomics for excellent point of aim and shooting capabilities.

__ Mounting rail for accessory grooves for laser sights, flashlights, etc.

__ Integrated lanyard mount.

SAFETY UNDER CONTROL

With a P99, you know the condition of the weapon all the time. With the integrated status indicators, you can feel and see whether the pistol is cocked and/or loaded. Rigorous tests have proven safe operation under extreme temperatures, difficult conditions (e.g. fouling) and a wide variety of ammunition types. There are no protruding parts such as a hammer, magazine release or decocking lever to get in the way. During numerous tests including exposure to extreme temperatures, hostile environments and firing a wide spectrum of ammunition, the functional reliability of the P99 has been proven.

PERMANENT ACTION OF 4 SAFETIES:

Trigger safety

The trigger safety prevents uncontrolled firing of a round in the event of an uncontrolled movement of the pistol (impact, dropping). The entire trigger with the trigger bar can only be moved rearwards when the trigger is moved by the shooting finger.

Striker safety

The rest position of the striker safety blocks the striker movement forwards. The safety is released for a free movement of the striker only when the trigger bar is moved rearwards using the trigger.

Drop safety

The drop safety is an integral part of the striker safety. Its design makes it effective against impacts and drops. The drop safety is also further increased by the interaction of the described automatic safety elements.

Decocking safety

The decocker allows safe decocking of the striker and automatically acts as a safety.

SAFETY THROUGH CONTROL

Loading and cocking indicators that can be felt and seen at anytime informing the operator about the "ready-to-fire" status of the weapon.

DECOCKING LEVER

The decocking lever allows safe decocking of the striker and acts as a safety. By integrating it into the slide, any snagging on clothing is prevented.



LOADED CHAMBER INDICATOR

Unloaded: the extractor is flush with the slide.
Loaded: the extractor is recessed in the slide and a red mark is visible.



COCKING INDICATOR

Decocked: the striker is recessed into the slide end cap.
Cocked: the striker can be felt extending from the slide end cap and displays a red mark.



GRIP

Three interchangeable backstraps made from shock absorbant material are provided to fit individual hand sizes.





- 1 Trigger Safety
- 2 Trigger
- 3 Trigger Bar
- 4 Striker Safety
- 5 Striker
- 6 Let-off
- 7 SA Lever
- 8 SA Sear

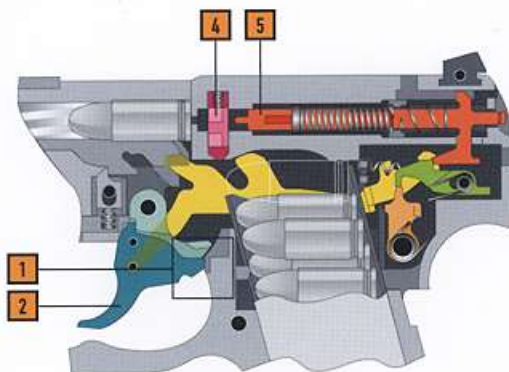


Fig. 1 | STARTING POINT (TRIGGER IN POS. 1)

TECHNICAL DATA

Caliber	9 mm x 19 (9 mm LUGER)	.40 S&W			
Action Type	Browning-style, striker-fired				
Dimensions	Length	180 mm	7.0"	184 mm	7.2"
	Height	135 mm	5.3"	135 mm	5.3"
	Width	29 (32 mm)	1.2"	29 (32 mm)	1.2"
Barrel Length	102 mm	4.0"	106 mm	4.2"	
Sight Radius	150 mm	5.9"	152 mm	6.0"	
Magazine Capacity	16 rounds		12 rounds		
Weight (without magazine)	630 g	22.2 oz.	655 g	23.1 oz.	
Magazine Weight (without cartridges)	80 g	2.8 oz.	80 g	2.8 oz.	
Muzzle Energy, approx.	540 J at 6.5 g / 100 gr.		590 J at 10 g / 155 gr.		
Muzzle Velocity, approx.	408 m/s	1,338 ft/sec.	344 m/s	1,128 ft/sec.	

P99 ANTI-STRESS TRIGGER SYSTEM

P99 with Anti-Stress Trigger Mechanism

The principle of the anti-stress trigger mechanism makes the P99 one of the safest guns in the world. The objective is to prevent unintentional firing by reflex in situations of extreme stress. The decisive innovation is that the trigger travel before the first shot has been increased, not only in double-action firing (Pos. 1, DA), but also in single-action firing (Pos. 1, SA). The trigger travel of 14 mm, before the first shot is fired, makes unintentional firing virtually impossible. Short trigger travel for rapid bursts of fire (Pos. 2, SA) with a linear rise in trigger pull. This means excellent control of the pistol if several shots are fired in rapid succession.

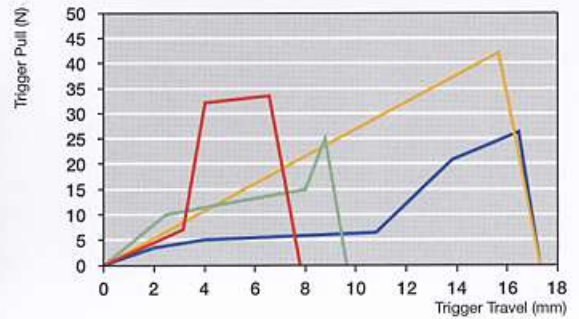
P99

Cal. 9 mm x 19, 16-shot
Part no. 262 17 38

Cal. .40 S&W, 12-shot
Part no. 263 28 96



P99 TRIGGER CHECK



- Single Action First Shot
- Single Action Second Shot
- Double Action First Shot
- First to Last Shot
- P99 Anti Stress Trigger
- P99 SA Trigger
- P99 DA Trigger + P990
- P99 Quick Action

P99 ANTI STRESS TRIGGER DATA

	Trigger pull	Trigger travel
Position 1: Double Action (DA), decocked	40 N / 4000 g	14 mm
Position 1: Single Action (SA), before first shot, manually cocked	20 N / 2000 g	14 mm
Position 2: Single Action (SA), following first shot, auto cocked	20 N / 2000 g	5 mm

P99 QA QUICK ACTION TRIGGER SYSTEM

P99 QA Quick Action

The P99 QA is a P99 that has been developed to meet the demands of Special Response Units. The new Quick Action trigger offers a consistent trigger pull from the first until the last shot. Once the P99 QA has been loaded it is immediately ready while maximizing safety for the operator through four independent safety systems. With the QA trigger, the striker is in a precocked position (approx. 6 mm / 0.24 inch) and further trigger pull results in additional cocking of approx. 3 mm (0.12 inch) before discharge. Trigger travel is about 7 mm (0.27 inch) with a trigger weight of approximately 3800 g. The always safe but short trigger travel guarantees the shooter immediate and precise shot delivery, the decisive factor in defensive situations. To strip the pistol into its main components (slide, barrel, recoil spring unit and frame) the partially cocked striker must be decocked. To avoid accidents with an unintentionally loaded pistol, the partially cocked striker can be decocked using the QA stripping aid and the pistol can then be stripped using the take (2 work) down catch.

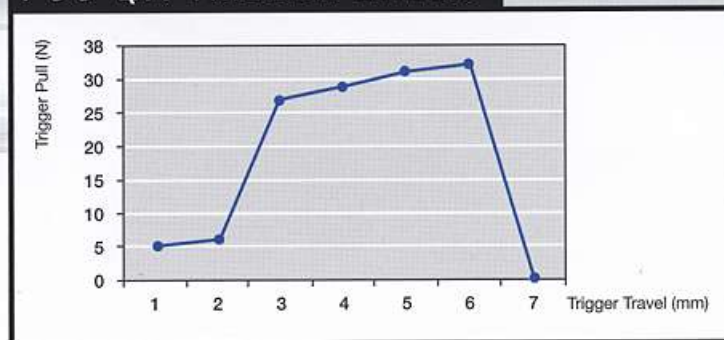


P99 QA

Cal. 9 mm x 19, 16-shot
Part no. 264 80 83

Cal. .40 S&W, 12-shot
Part no. 264 86 44

P99 QA TRIGGER CHECK



P99 QA TRIGGER DATA

consistent trigger pull and travel from the first until the last shot	Trigger pull	Trigger travel
	38 N/3800 g	7 mm/0.27 inch

P990 DOUBLE ACTION ONLY TRIGGER SYSTEM

P990 DA only

The Double Action Only trigger system ensures a consistent trigger pull of about 4000 g (8.8 lbs) with a trigger travel of about 14 mm (0.55 inches), from the first until the last shot. Three automatic safety systems eliminate the possibility of a discharge unless the trigger is pulled completely rearward. The DA Only trigger system allows the P990 to be carried safely in a loaded and ready condition.

P990 DA ONLY

Cal. 9 mm x 19, 16-shot
Part no. 262 41 33

Cal. .40 S&W, 12-shot
Part no. 264 27 78



P99 TRAINING PISTOL SIMUNITION

For the tactical training of special police forces. Training pistol for firing of paintballs and rubber bullets in caliber 9 mm FX (available for Law Enforcement only).



CP99 CO₂ TRAINING PISTOL CAL. 4,5 MM (.177)

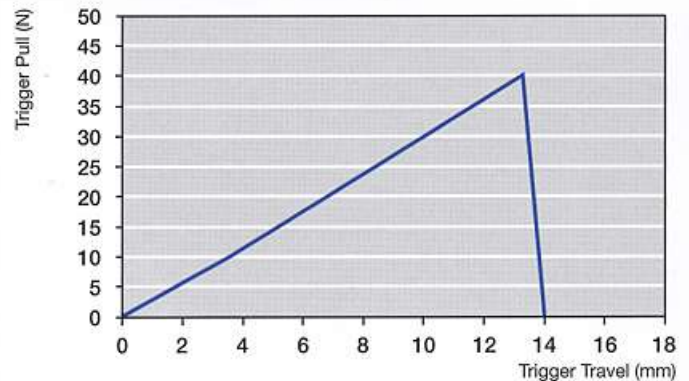
Affordable training pistol for the marksmanship training. The CP99 CO₂ air pistol corresponds with the handling and size of the original P99.



ADVANTAGES OF THE P990

- ___ simple operation
- ___ immediately ready to use
- ___ no manual operation levers
- ___ utmost safety
- ___ constant trigger pull from first to last shot
- ___ renewed trigger pull is possible on ammunition malfunction
- ___ simple training

P990 TRIGGER CHECK



P990 DAO TRIGGER DATA

consistent trigger pull and travel from the first until the last shot	Trigger pull	Trigger travel
	40 N/4000 g	14 mm/0.55 inch

P99 ACCESSORIES

SILENCER SET IMPULS II

Suppression: 33+ dB (A)
Scope of delivery:
silencer, barrel 117 mm
for P99, protective cap
for barrel thread
and soft case

Part no. 264 70 87



LASER MAGNUM POWER POINT

Part no. 263 93 19



LPA SPORTING SIGHTS

adjustable

Part no. 265 59 00



MAGAZINE FLASHLIGHT ADAPTER

with quick release system,
without Flashlight
(not available in USA)

Part no. 265 56 59



METAL SIGHTS

fixed, 3-dot

Part no. 265 58 45



WALTHER/ASP HALOGEN-FLASHLIGHT

Length: 3.7 cm (1.45")
Ø: 3.6 cm (1.42")
Weight: 150 g (5.3 oz.)
(without batteries)

Part no. 264 31 46



TRITIUM NIGHT SIGHTS

green, fixed, 3-dot

Part no. 265 58 53



LPA REFLECTING SIGHTS

red, windage adjustable

Part no. 265 58 96





DIN EN ISO 9001: 1994 certificate



Police certificate

Walther – experience that counts

- More than 100 years of pistol production
- More than 1 million pistols sold
- More than 500,000 pistols in service with police and armed forces
- Cooperation agreement with Smith & Wesson, license production based on P99
- DIN EN ISO 9001 certificate
- Certified to German police specifications



A COMPANY OF THE
UMAREX-GROUP

TRADITION OF INNOVATION

Carl Walther GmbH Sportwaffen
Sales / Distribution
 P.O.Box 2740, D-59717 Arnsberg
 Tel.: +49 29 32/6 38-100
 Fax: +49 29 32/6 38-149
 email: sales@carl-walther.de
 www.carl-walther.de

Carl Walther GmbH Sportwaffen
Service
 P.O.Box 4325, D-89033 Ulm
 Tel.: +49 7 31/15 39-0
 Fax: +49 7 31/15 39-170